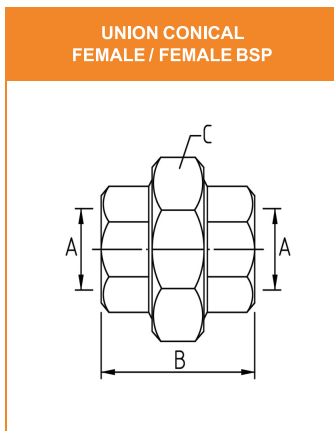
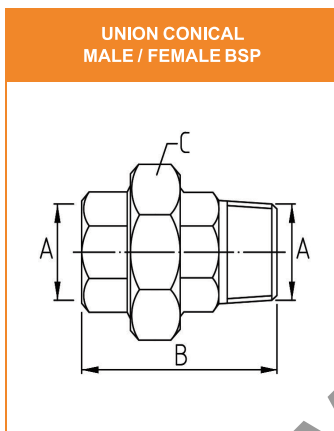


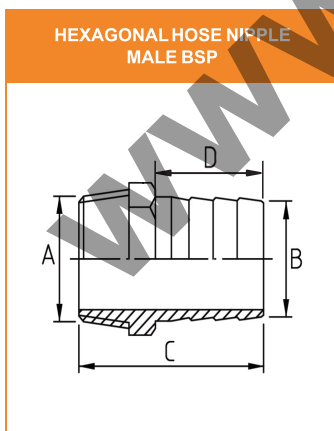
DN	A mm	B mm	C mm	D mm	E mm	kg	AISI 304/1.4301 Art.-Nr.	AISI 316/1.4408 Art.-Nr.2
6	10.20	26-33	26.00			0.05	111340-10	111360-10
8	13.50	33-36	29.00			0.08	111340-13	111360-13
10	17.20	34-38	34.00			0.11	111340-17	111360-17
15	21.30	40-44	37.00			0.18	111340-21	111360-21
20	26.90	42-51	44.00			0.23	111340-26	111360-26
25	33.70	48-50	52.50			0.33	111340-33	111360-33
32	42.40	55-59	63.00			0.64	111340-42	111360-42
40	48.30	48-64	70.00			0.67	111340-48	111360-48
50	60.30	60-69	84.00			1.35	111340-60	111360-60
65	76.10	71-76	101.50			1.50	111340-76	111360-76
80	88.90	77-84	118.00			2.00	111340-88	111360-88
100	114.30	92-99	148.50			4.00	111340-114	111360-114



DN	A mm	B mm	C mm	D mm	E mm	kg	AISI 304/1.4301 Art.-Nr.	AISI 316/1.4408 Art.-Nr.2
6	1/8"	29-33	26.00			0.06	113340-10	113360-10
8	1/4"	33-38	29.00			0.09	113340-13	113360-13
10	3/8"	34-38	34.00			0.12	113340-17	113360-17
15	1/2"	39-40	37.00			0.14	113340-21	113360-21
20	3/4"	42-51	44.00			0.19	113340-26	113360-26
25	1"	48-50	52.50			0.29	113340-33	113360-33
32	1 1/4"	54-59	63.00			0.47	113340-42	113360-42
40	1 1/2"	58-65	70.00			0.79	113340-48	113360-48
50	2"	63-69	84.00			1.05	113340-60	113360-60
65	2 1/2"	71-80	101.50			1.50	113340-76	113360-76
80	3"	79-88	118.00			2.00	113340-88	113360-88
100	4"	92-110	148.50			4.00	113340-114	113360-114

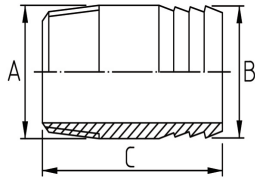


DN	A mm	B mm	C mm	D mm	E mm	kg	AISI 304/1.4301 Art.-Nr.	AISI 316/1.4408 Art.-Nr.2
6	1/8"	38-40	26.00			0.07	116340-10	116360-10
8	1/4"	42-50	29.00			0.10	116340-13	116360-13
10	3/8"	45-50	34.00			0.13	116340-17	116360-17
15	1/2"	53-57	37.00			0.15	116340-21	116360-21
20	3/4"	56-67	44.00			0.20	116340-26	116360-26
25	1"	66-69	52.50			0.32	116340-33	116360-33
32	1 1/4"	74-83	63.00			0.52	116340-42	116360-42
40	1 1/2"	78-86	70.00			0.87	116340-48	116360-48
50	2"	83-94	84.00			1.16	116340-60	116360-60
65	2 1/2"	92-114	101.50			1.65	116340-76	116360-76
80	3"	102-127	118.00			2.20	116340-88	116360-88
100	4"	114-154	148.50			4.40	116340-114	116360-114



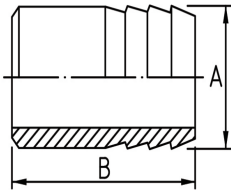
DN	A mm	B mm	C mm	D mm	E mm	kg	AISI 304/1.4301 Art.-Nr.	AISI 316/1.4408 Art.-Nr.2
6	1/8"	8.00	33-45	13.00		0.03	155340-10	155360-10
8	1/4"	9.00	41-47	17.00		0.40	155340-13	155360-13
10	3/8"	11.50	44-55	20.00		0.50	155340-17	155360-17
15	1/2"	15.00	49-64	25.00		0.09	155340-21	155360-21
20	3/4"	20.00	59-68	32.00		0.13	155340-26	155360-26
25	1"	27.00	69-76	38.00		0.20	155340-33	155360-33
32	1 1/4"	33.00	74-80	46.00		0.30	155340-42	155360-42
40	1 1/2"	39.50	79-95	52.00		0.38	155340-48	155360-48
50	2"	52.00	89-105	63.00		0.58	155340-60	155360-60

**HOSE NIPPLE  
MALE BSP**



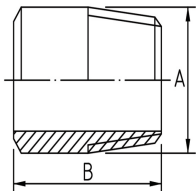
DN	A mm	B mm	C mm	D mm	E mm	kg	AISI 304/1.4301 Art.-Nr.	AISI 316L/1.4404 Art.-Nr.2
8	1/4"	13.00	49.00			0.02	154340-13	154370-13
10	3/8"	16.00	55.00			0.03	154340-17	154370-17
15	1/2"	20.00	63.00			0.05	154340-21	154370-21
20	3/4"	25.50	72.00			0.07	154340-26	154370-26
25	1"	32.40	82.00			0.12	154340-33	154370-33
32	1 1/4"	41.00	83.00			0.14	154340-42	154370-42
40	1 1/2"	47.00	87.00			0.18	154340-48	154370-48
50	2"	59.00	96.00			0.21	154340-60	154370-60
65	2 1/2"	71.50	103.00			0.50	154340-76	154370-76
80	3"	87.40	111.00			1.10	154340-88	154370-88
100	4"	112.80	123.00			1.89	154340-114	154370-114

**HOSE NIPPLE  
BUTT WELD**



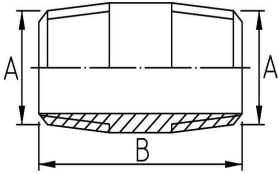
DN	A mm	B mm	C mm	D mm	E mm	kg	AISI 304/1.4301 Art.-Nr.	AISI 316L/1.4404 Art.-Nr.2
6	9.00	36.00				0.01	153340-10	153370-10
8	13.00	38.00				0.02	153340-13	153370-13
10	16.00	43.00				0.03	153340-17	153370-17
15	20.00	48.00				0.04	153340-21	153370-21
20	25.50	55.00				0.09	153340-26	153370-26
25	32.40	62.00				0.13	153340-33	153370-33
32	41.00	62.00				0.17	153340-42	153370-42
40	47.00	66.00				0.21	153340-48	153370-48
50	59.00	70.00				0.26	153340-60	153370-60
65	71.50	75.00				0.44	153340-76	153370-76
80	87.40	80.00				0.98	153340-88	153370-88
100	112.80	83.00				1.48	153340-114	153370-114

**WELDING NIPPLE BSP  
ISO 4144 / ECO**



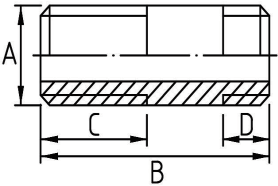
DN	A mm	B mm	C mm	D mm	E mm	kg	AISI 304/1.4301 Art.-Nr.	AISI 316L/1.4404 Art.-Nr.2
6	1/8"	20.00	ECO			0.01	401740-10	401770-10
6	1/8"	30.00	ISO 4144			0.02	401340-10	401370-10
8	1/4"	22.00	ECO			0.01	401740-13	401770-13
8	1/4"	30.00	ISO 4144			0.02	401340-13	401370-13
10	3/8"	23.00	ECO			0.02	401740-17	401770-17
10	3/8"	30.00	ISO 4144			0.02	401340-17	401370-17
15	1/2"	25.00	ECO			0.03	401740-21	401770-21
15	1/2"	35.00	ISO 4144			0.04	401340-21	401370-21
20	3/4"	30.00	ECO			0.04	401740-26	401770-26
20	3/4"	40.00	ISO 4144			0.05	401340-26	401370-26
25	1"	32.00	ECO			0.06	401740-33	401770-33
25	1"	40.00	ISO 4144			0.08	401340-33	401370-33
32	1 1/4"	33.00	ECO			0.08	401740-42	401770-42
32	1 1/4"	50.00	ISO 4144			0.12	401340-42	401370-42
40	1 1/2"	35.00	ECO			0.10	401740-48	401770-48
40	1 1/2"	50.00	ISO 4144			0.14	401340-48	401370-48
50	2"	40.00	ECO			0.15	401740-60	401770-60
50	2"	50.00	ISO 4144			0.19	401340-60	401370-60
65	2 1/2"	45.00	ECO			0.21	401740-76	401770-76
65	2 1/2"	60.00	ISO 4144			0.23	401340-76	401370-76
80	3"	55.00	ECO			0.48	401740-88	401770-88
80	3"	70.00	ISO 4144			0.52	401340-88	401370-88
100	4"	60.00	ECO			0.70	401740-114	401770-114
100	4"	80.00	ISO 4144			0.82	401340-114	401370-114

## BARREL NIPPLE BSP ISO 4144 / ECO



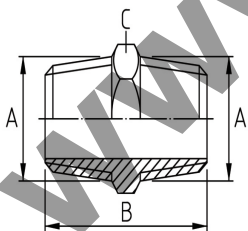
DN	A mm	B mm	C mm	D mm	E mm	kg	AISI 304/1.4301 Art.-Nr.	AISI 316L/1.4404 Art.-Nr.2
6	1/8"	30.00	ECO			0.01	402740-10	402770-10
6	1/8"	40.00	ISO 4144			0.01	402340-10	402370-10
8	1/4"	30.00	ECO			0.02	402740-13	402770-13
8	1/4"	40.00	ISO 4144			0.03	402340-13	402370-13
10	3/8"	35.00	ECO			0.02	402740-17	402770-17
10	3/8"	40.00	ISO 4144			0.03	402340-17	402370-17
15	1/2"	42.00	ECO			0.04	402740-21	402770-21
15	1/2"	60.00	ISO 4144			0.06	402340-21	402370-21
20	3/4"	46.00	ECO			0.05	402740-26	402770-26
20	3/4"	60.00	ISO 4144			0.07	402340-26	402370-26
25	1"	55.00	ECO			0.10	402740-33	402770-33
25	1"	60.00	ISO 4144			0.11	402340-33	402370-33
32	1"1/4	58.00	ECO			0.14	402740-42	402770-42
32	1"1/4	80.00	ISO 4144			0.19	402340-42	402370-42
40	1"1/2	60.00	ECO			0.15	402740-48	402770-48
40	1"1/2	80.00	ISO 4144			0.20	402340-48	402370-48
50	2"	70.00	ECO			0.27	402740-60	402770-60
50	2"	100.00	ISO 4144			0.39	402340-60	402370-60
65	2"1/2	80.00	ECO			0.36	402740-76	402770-76
65	2"1/2	100.00	ISO 4144			0.45	402340-76	402370-76
80	3"	85.00	ECO			0.91	402740-88	402770-88
80	3"	120.00	ISO 4144			1.28	402340-88	402370-88
100	4"	120.00	ECO			1.48	402740-114	402770-114
100	4"	150.00	ISO 4144			1.85	402340-114	402370-114

## LONG SPECIAL PARALLEL NIPPLE BSP PARALLEL



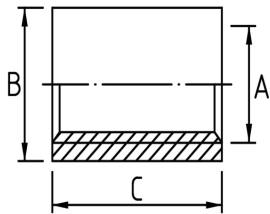
DN	A mm	B mm	C mm	D mm	E mm	kg	AISI 304/1.4301 Art.-Nr.	AISI 316L/1.4404 Art.-Nr.2
6	1/8"	80.00	38.00	7.00		0.03	415340-10	415370-10
8	1/4"	80.00	38.00	7.00		0.04	415340-13	415370-13
10	3/8"	90.00	40.00	8.00		0.06	415340-17	415370-17
15	1/2"	110.00	40.00	9.00		0.09	415340-21	415370-21
20	3/4"	110.00	45.00	10.50		0.13	415340-26	415370-26
25	1"	130.00	50.00	11.00		0.24	415340-33	415370-33
32	1"1/4	130.00	55.00	13.00		0.34	415340-42	415370-42
40	1"1/2	150.00	60.00	15.00		0.46	415340-48	415370-48
50	2"	150.00	65.00	17.00		0.61	415340-60	415370-60
65	2"1/2	170.00	75.00	19.50		1.03	415340-76	415370-76
80	3"	180.00	85.00	22.00		1.23	415340-88	415370-88
100	4"	180.00	85.00	22.00		1.85	415340-114	415370-114

## HEXAGONAL NIPPLE MALE BSP / ISO 4144



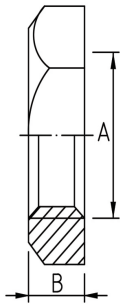
DN	A mm	B mm	C mm	D mm	E mm	kg	AISI 304/1.4301 Art.-Nr.	AISI 316/1.4408 Art.-Nr.2
6	1/8"	20.00	11.00			0.01	403340-10	403360-10
8	1/4"	25.00	14.50			0.02	403340-13	403360-13
10	3/8"	27.00	18.50			0.04	403340-17	403360-17
15	1/2"	34.00	22.50			0.06	403340-21	403360-21
20	3/4"	36.50	28.00			0.09	403340-26	403360-26
25	1"	42.00	34.00			0.12	403340-33	403360-33
32	1"1/4	47.50	44.00			0.23	403340-42	403360-42
40	1"1/2	47.50	50.00			0.26	403340-48	403360-48
50	2"	57.00	62.00			0.40	403340-60	403360-60
65	2"1/2	61.00	78.00			0.70	403340-76	403360-76
80	3"	67.50	90.50			0.90	403340-88	403360-88
100	4"	80.00	116.50			1.50	403340-114	403360-114

SOCKET COUPLING  
FEMALE BSP / ISO 4144



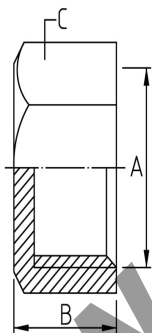
DN	A mm	B mm	C mm	D mm	E mm	kg	AISI 304/1.4301 Art.-Nr.	AISI 316L/1.4404 Art.-Nr.2
6	1/8"	13.00	17.00			0.02	404340-10	404370-10
8	1/4"	16.50	24.00			0.02	404340-13	404370-13
10	3/8"	20.00	25.00			0.04	404340-17	404370-17
15	1/2"	24.50	32.00			0.07	404340-21	404370-21
20	3/4"	30.00	35.00			0.09	404340-26	404370-26
25	1"	37.50	41.00			0.15	404340-33	404370-33
32	1 1/4"	46.50	45.00			0.20	404340-42	404370-42
40	1 1/2"	53.00	45.00			0.23	404340-48	404370-48
50	2"	65.50	54.00			0.34	404340-60	404370-60
65	2 1/2"	82.00	63.00			0.53	404340-76	404370-76
80	3"	95.50	69.00			0.66	404340-88	404370-88
100	4"	121.50	81.00			1.17	404340-114	404370-114

HEXAGONAL NUT  
BSP / ISO 4144



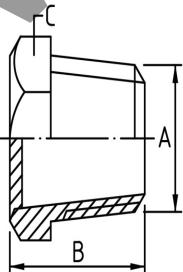
DN	A mm	B mm	C mm	D mm	E mm	kg	AISI 304/1.4301 Art.-Nr.	AISI 316/1.4408 Art.-Nr.2
6	1/8"	5.00				0.01	405340-10	405360-10
8	1/4"	6.00				0.02	405340-13	405360-13
10	3/8"	6.00				0.02	405340-17	405360-17
15	1/2"	7.00				0.03	405340-21	405360-21
20	3/4"	7.00				0.04	405340-26	405360-26
25	1"	9.00				0.06	405340-33	405360-33
32	1 1/4"	11.00				0.13	405340-42	405360-42
40	1 1/2"	11.00				0.14	405340-48	405360-48
50	2"	13.00				0.23	405340-60	405360-60
65	2 1/2"	15.00				0.42	405340-76	405360-76
80	3"	17.00				0.48	405340-88	405360-88
100	4"	20.00				0.54	405340-114	405360-114

HEXAGONAL FEMALE CAP  
BSP / ISO 4144



DN	A mm	B mm	C mm	D mm	E mm	kg	AISI 304/1.4301 Art.-Nr.	AISI 316/1.4408 Art.-Nr.2
6	1/8"	13.50	13.50			0.01	406340-10	406360-10
8	1/4"	17.00	17.00			0.02	406340-13	406360-13
10	3/8"	17.50	20.50			0.03	406340-17	406360-17
15	1/2"	21.00	25.00			0.04	406340-21	406360-21
20	3/4"	22.50	31.00			0.05	406340-26	406360-26
25	1"	26.00	38.00			0.09	406340-33	406360-33
32	1 1/4"	29.00	47.00			0.17	406340-42	406360-42
40	1 1/2"	29.00	53.00			0.21	406340-48	406360-48
50	2"	33.50	66.00			0.28	406340-60	406360-60
65	2 1/2"	38.50	82.00			0.51	406340-76	406360-76
80	3"	42.00	95.50			0.86	406340-88	406360-88
100	4"	48.50	121.50			1.00	406340-114	406360-114

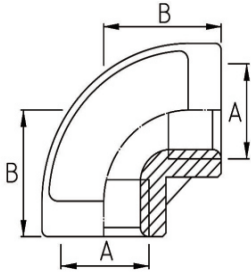
HEXAGONAL MALE PLUG  
BSP / ISO 4144



DN	A mm	B mm	C mm	D mm	E mm	kg	AISI 304/1.4301 Art.-Nr.	AISI 316/1.4408 Art.-Nr.2
6	1/8"	12.00	11.00			0.01	407340-10	407360-10
8	1/4"	14.50	15.00			0.02	407340-13	407360-13
10	3/8"	16.00	18.00			0.02	407340-17	407360-17
15	1/2"	19.50	22.00			0.04	407340-21	407360-21
20	3/4"	21.00	28.00			0.06	407340-26	407360-26
25	1"	24.00	35.00			0.10	407340-33	407360-33
32	1 1/4"	27.00	43.50			0.18	407340-42	407360-42
40	1 1/2"	27.00	49.50			0.25	407340-48	407360-48
50	2"	32.00	62.00			0.40	407340-60	407360-60
65	2 1/2"	34.00	77.50			1.00	407340-76	407360-76
80	3"	37.50	90.50			1.50	407340-88	407360-88
100	4"	44.00	117.00			2.50	407340-114	407360-114

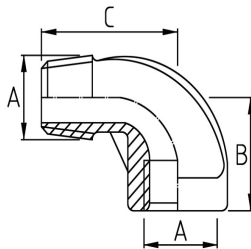


**FEMALE/FEMALE 90° ELBOW**  
BSP / ISO 4144



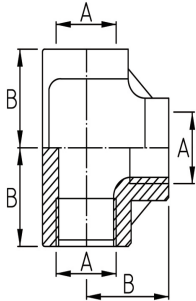
DN	A mm	B mm	C mm	D mm	E mm	kg	AISI 304/1.4301 Art.-Nr.	AISI 316/1.4408 Art.-Nr.2
6	1/8"	17.00				0.04	408340-10	408360-10
8	1/4"	19.00				0.06	408340-13	408360-13
10	3/8"	23.00				0.07	408340-17	408360-17
15	1/2"	27.00				0.10	408340-21	408360-21
20	3/4"	32.00				0.16	408340-26	408360-26
25	1"	38.00				0.26	408340-33	408360-33
32	1 1/4"	45.00				0.51	408340-42	408360-42
40	1 1/2"	48.00				0.55	408340-48	408360-48
50	2"	57.00				0.80	408340-60	408360-60
65	2 1/2"	69.00				1.10	408340-76	408360-76
80	3"	78.00				1.58	408340-88	408360-88
100	4"	96.00				1.98	408340-114	408360-114

**MALE/FEMALE 90° STREET ELBOW**  
BSP / ISO 4144



DN	A mm	B mm	C mm	D mm	E mm	kg	AISI 304/1.4301 Art.-Nr.	AISI 316/1.4408 Art.-Nr.2
6	1/8"	17.00	26.00			0.03	409340-10	409360-10
8	1/4"	19.00	27.00			0.05	409340-13	409360-13
10	3/8"	23.00	29.00			0.07	409340-17	409360-17
15	1/2"	27.00	35.00			0.11	409340-21	409360-21
20	3/4"	32.00	40.00			0.20	409340-26	409360-26
25	1"	38.00	46.00			0.27	409340-33	409360-33
32	1 1/4"	45.00	54.00			0.47	409340-42	409360-42
40	1 1/2"	48.00	57.00			0.57	409340-48	409360-48
50	2"	57.00	70.00			0.98	409340-60	409360-60
65	2 1/2"	69.00	83.00			1.20	409340-76	409360-76
80	3"	78.00	94.00			1.40	409340-88	409360-88
100	4"	97.00	115.00			3.98	409340-114	409360-114

**FEMALE TEE**  
BSP / ISO 4144

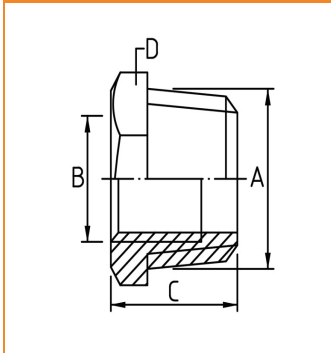


DN	A mm	B mm	C mm	D mm	E mm	kg	AISI 304/1.4301 Art.-Nr.	AISI 316/1.4408 Art.-Nr.2
6	1/8"	17.00				0.04	410340-10	410360-10
8	1/4"	19.00				0.05	410340-13	410360-13
10	3/8"	23.00				0.07	410340-17	410360-17
15	1/2"	27.00				0.12	410340-21	410360-21
20	3/4"	32.00				0.17	410340-26	410360-26
25	1"	38.00				0.26	410340-33	410360-33
32	1 1/4"	45.00				0.34	410340-42	410360-42
40	1 1/2"	48.00				0.43	410340-48	410360-48
50	2"	57.00				0.67	410340-60	410360-60
65	2 1/2"	69.00				1.21	410340-76	410360-76
80	3"	78.00				2.92	410340-88	410360-88
100	4"	96.00				4.76	410340-114	410360-114

ISO

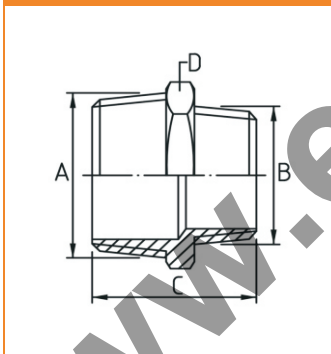
www.efitekinox.com

**BUSHING MALE/FEMALE REDUCER  
BSP / ISO 4144**



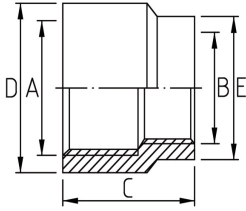
DN	A mm	B mm	C mm	D mm	E mm	kg	AISI 304/1.4301 Art.-Nr.	AISI 316/1.4408 Art.-Nr.2
8-6	1/4"	1/8"	14.50	14.50		0.01	411340-1310	411360-1310
10-6	3/8"	1/8"	16.00	18.50		0.02	411340-1710	411360-1710
10-8	3/8"	1/4"	16.00	18.50		0.02	411340-1713	411360-1713
15-6	1/2"	1/8"	19.50	22.50		0.05	411340-2110	411360-2110
15-8	1/2"	1/4"	19.50	22.50		0.04	411340-2113	411360-2113
15-10	1/2"	3/8"	19.50	22.50		0.03	411340-2117	411360-2117
20-8	3/4"	1/4"	21.00	28.00		0.07	411340-2613	411360-2613
20-10	3/4"	3/8"	21.00	28.00		0.06	411340-2617	411360-2617
20-15	3/4"	1/2"	21.00	28.00		0.04	411340-2621	411360-2621
25-8	1"	1/4"	24.00	35.00		0.22	411340-3313	411360-3313
25-10	1"	3/8"	24.00	35.00		0.14	411340-3317	411360-3317
25-15	1"	1/2"	24.00	35.00		0.12	411340-3321	411360-3321
25-20	1"	3/4"	24.00	35.00		0.07	411340-3326	411360-3326
32-15	1"1/4	1/2"	27.00	44.00		0.20	411340-4221	411360-4221
32-20	1"1/4	3/4"	27.00	44.00		0.17	411340-4226	411360-4226
32-25	1"1/4	1"	27.00	44.00		0.15	411340-4233	411360-4233
40-15	1"1/2	1/2"	27.00	49.50		0.30	411340-4821	411360-4821
40-20	1"1/2	3/4"	27.00	49.50		0.29	411340-4826	411360-4826
40-25	1"1/2	1"	27.00	49.50		0.28	411340-4833	411360-4833
40-32	1"1/2	1"1/4	27.00	49.50		0.27	411340-4842	411360-4842
50-15	2"	1/2"	32.00	61.50		0.34	411340-6021	411360-6021
50-20	2"	3/4"	32.00	61.50		0.33	411340-6026	411360-6026
50-25	2"	1"	32.00	61.50		0.32	411340-6033	411360-6033
50-32	2"	1"1/4	32.00	61.50		0.31	411340-6042	411360-6042
50-40	2"	1"1/2	32.00	61.50		0.30	411340-6048	411360-6048
65-40	2"1/2	1"1/2	34.00	77.50		1.15	411340-7648	411360-7648
65-50	2"1/2	2"	34.00	77.50		1.00	411340-7660	411360-7660
80-50	3"	2"	37.50	90.50		1.40	411340-8860	411360-8860
80-65	3"	2"1/2	37.50	90.50		1.30	411340-8876	411360-8876
100-65	4"	2"1/2	44.00	116.50		2.30	411340-11476	411360-11476
100-80	4"	3"	44.00	116.50		2.20	411340-11488	411360-11488

**MALE/MALE REDUCER NIPPLE  
BSP / ISO 4144**



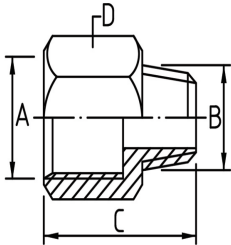
DN	A mm	B mm	C mm	D mm	E mm	kg	AISI 304/1.4301 Art.-Nr.	AISI 316/1.4408 Art.-Nr.2
8-6	1/4"	1/8"	22.50	14.50		0.01	412340-1310	412360-1310
10-6	3/8"	1/8"	24.00	18.50		0.04	412340-1710	412360-1710
10-8	3/8"	1/4"	27.50	18.50		0.03	412340-1713	412360-1713
15-8	1/2"	1/4"	30.00	22.50		0.05	412340-2113	412360-2113
15-10	1/2"	3/8"	30.50	22.50		0.04	412340-2117	412360-2117
20-10	3/4"	3/8"	32.00	28.00		0.60	412340-2617	412360-2617
20-15	3/4"	1/2"	35.50	28.00		0.50	412340-2621	412360-2621
25-10	1"	3/8"	35.00	35.00		0.16	412340-3317	412360-3317
25-15	1"	1/2"	38.50	35.00		0.15	412340-3321	412360-3321
25-20	1"	3/4"	39.50	35.00		0.14	412340-3326	412360-3326
32-20	1"1/4	3/4"	42.50	44.00		0.27	412340-4226	412360-4226
32-25	1"1/4	1"	45.00	44.00		0.25	412340-4233	412360-4233
40-25	1"1/2	1"	45.00	49.50		0.31	412340-4833	412360-4833
40-32	1"1/2	1"1/4	47.50	49.50		0.29	412340-4842	412360-4842
50-25	2"	1"	50.00	61.50		0.56	412340-6033	412360-6033
50-32	2"	1"1/4	52.50	61.50		0.54	412340-6042	412360-6042
50-40	2"	1"1/2	53.00	61.50		0.52	412340-6048	412360-6048
65-40	2"1/2	1"1/2	55.00	77.50		1.25	412340-7648	412360-7648
65-50	2"1/2	2"	59.00	77.50		1.23	412340-7660	412360-7660
80-50	3"	2"	62.50	90.50		1.65	412340-8860	412360-8860
80-65	3"	2"1/2	64.50	90.50		1.50	412340-8876	412360-8876
100-65	4"	2"1/2	71.00	116.50		2.30	412340-11476	412360-11476
100-80	4"	3"	74.00	116.50		2.10	412340-11488	412360-11488

**REDUCER SOCKET FEMALE/FEMALE**  
BSP / ISO 4144



DN	A mm	B mm	C mm	D mm	E mm	kg	AISI 304/1.4301 Art.-Nr.	AISI 316/1.4408 Art.-Nr.2
8-6	1/4"	1/8"	25.00	16.50	13.00	0.02	413340-1310	413360-1310
12-6	3/8"	1/8"	26.00	20.00	13.00	0.04	413340-1710	413360-1710
12-8	3/8"	1/4"	26.00	20.00	16.50	0.05	413340-1713	413360-1713
15-8	1/2"	1/4"	34.00	24.50	16.50	0.07	413340-2113	413360-2113
15-12	1/2"	3/8"	34.00	24.50	20.00	0.08	413340-2117	413360-2117
20-8	3/4"	1/4"	36.00	30.00	16.50	0.10	413340-2613	413360-2613
20-12	3/4"	3/8"	36.00	30.00	20.00	0.11	413340-2617	413360-2617
20-15	3/4"	1/2"	36.00	30.00	24.50	0.12	413340-2621	413360-2621
25-15	1"	1/2"	42.00	37.50	24.50	0.15	413340-3321	413360-3321
25-20	1"	3/4"	42.00	37.50	30.00	0.16	413340-3326	413360-3326
32-20	1 1/4"	3/4"	48.00	46.50	30.00	0.19	413340-4226	413360-4226
32-25	1 1/4"	1"	48.00	46.50	37.50	0.20	413340-4233	413360-4233
40-20	1 1/2"	3/4"	52.00	53.00	30.00	0.25	413340-4826	413360-4826
40-25	1 1/2"	1"	52.00	53.00	37.50	0.26	413340-4833	413360-4833
40-32	1 1/2"	1 1/4"	52.00	53.00	46.50	0.27	413340-4842	413360-4842
50-32	2"	1 1/4"	58.00	65.50	46.50	0.32	413340-6042	413360-6042
50-40	2"	1 1/2"	58.00	65.50	53.00	0.33	413340-6048	413360-6048
65-40	2 1/2"	1 1/2"	65.00	81.50	53.00	0.79	413340-7648	413360-7648
65-50	2 1/2"	2"	65.00	81.50	65.50	0.78	413340-7660	413360-7660
80-50	3"	2"	72.00	95.50	65.50	1.05	413340-8860	413360-8860
80-65	3"	2 1/2"	72.00	95.50	82.00	1.07	413340-8876	413360-8876
100-65	4"	2 1/2"	94.00	121.50	82.00	1.64	413340-11476	413360-11476
100-80	4"	3"	94.00	121.50	95.50	1.70	413340-11488	413360-11488

**REDUCER SOCKET FEMALE/MALE**  
BSP / ISO 4144

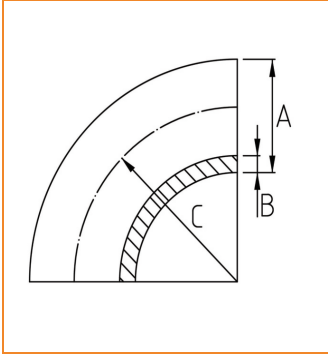


DN	A mm	B mm	C mm	D mm	E mm	kg	AISI 304/1.4301 Art.-Nr.	AISI 316/1.4408 Art.-Nr.2
8-6	1/4"	1/8"	25.00	17.00		0.03	414340-1310	414360-1310
10-8	3/8"	1/4"	28.00	20.50		0.04	414340-1713	414360-1713
15-8	1/2"	1/4"	31.50	25.00		0.05	414340-2113	414360-2113
15-10	1/2"	3/8"	32.00	25.00		0.05	414340-2117	414360-2117
20-10	3/4"	3/8"	33.50	31.00		0.07	414340-2617	414360-2617
20-15	3/4"	1/2"	37.00	31.00		0.08	414340-2621	414360-2621
25-15	1"	1/2"	40.50	38.00		0.12	414340-3321	414360-3321
25-20	1"	3/4"	41.50	38.00		0.13	414340-3326	414360-3326
32-20	1 1/4"	3/4"	44.50	47.00		0.22	414340-4226	414360-4226
32-25	1 1/4"	1"	47.00	47.00		0.23	414340-4233	414360-4233

ISO

www.efitekinox.com

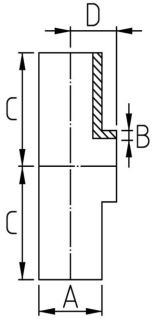
90° WELDED ELBOW ISO  
EN 10253-3



DN	A mm	B mm	C mm	D mm	E mm	kg	AISI 304/1.4301 Art.-Nr.	AISI 316L/1.4404 Art.-Nr.2
8	13.50	1.60	20.00			0.02	301340-1316	301370-1316
10	17.20	1.60	25.00			0.03	301340-1716	301370-1716
15	21.30	1.60	28.00			0.03	301340-2116	301370-2116
15	21.30	2.00	28.00			0.04	301340-2120	301370-2120
15	21.30	3.00	28.00			0.06	301340-2130	301370-2130
20	26.90	1.60	29.00			0.04	301340-2616	301370-2616
20	26.90	2.00	29.00			0.06	301340-2620	301370-2620
20	26.90	3.00	29.00			0.09	301340-2630	301370-2630
25	33.70	1.60	38.00			0.07	301340-3316	301370-3316
25	33.70	2.00	38.00			0.09	301340-3320	301370-3320
25	33.70	3.00	38.00			0.14	301340-3330	301370-3330
32	42.40	1.60	48.00			0.11	301340-4216	301370-4216
32	42.40	2.00	48.00			0.12	301340-4220	301370-4220
32	42.40	3.00	48.00			0.18	301340-4230	301370-4230
40	48.30	1.60	57.00			0.15	301340-4816	301370-4816
40	48.30	2.00	57.00			0.20	301340-4820	301370-4820
40	48.30	3.00	57.00			0.30	301340-4830	301370-4830
50	60.30	1.60	76.00			0.28	301340-6016	301370-6016
50	60.30	2.00	76.00			0.33	301340-6020	301370-6020
50	60.30	3.00	76.00			0.49	301340-6030	301370-6030
65	76.10	1.60	95.00			0.43	301340-7616	301370-7616
65	76.10	2.00	95.00			0.52	301340-7620	301370-7620
65	76.10	3.00	95.00			0.78	301340-7630	301370-7630
80	88.90	2.00	114.00			0.78	301340-8820	301370-8820
80	88.90	3.00	114.00			1.17	301340-8830	301370-8830
100	114.30	2.00	152.00			1.29	301340-11420	301370-11420
100	114.30	3.00	152.00			1.94	301340-11430	301370-11430
125	139.70	2.00	190.00			1.97	301340-13920	301370-13920
125	139.70	3.00	190.00			2.96	301340-13930	301370-13930
150	168.30	2.00	229.00			2.93	301340-16820	301370-16820
150	168.30	3.00	229.00			4.40	301340-16830	301370-16830
200	219.10	2.00	305.00			4.87	301340-21920	301370-21920
200	219.10	3.00	305.00			7.31	301340-21930	301370-21930

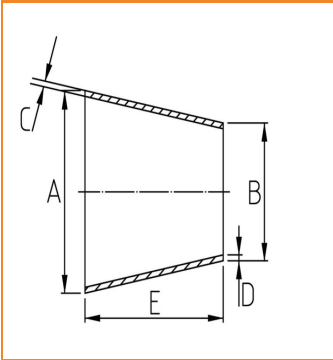


WELDED SHORT TEE ISO  
EN 10253-3



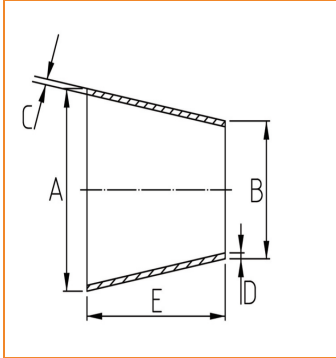
DN	A mm	B mm	C mm	D mm	E mm	kg	AISI 304/1.4301 Art.-Nr.	AISI 316L/1.4404 Art.-Nr.2
8	13.50	1.60	25.50	5.00		0.02	331340-1316	331370-1316
10	17.20	1.60	25.50	10.00		0.02	331340-1716	331370-1716
10	17.20	2.00	25.50	10.00		0.03	331340-1720	331370-1720
15	21.30	1.60	25.50	12.00		0.04	331340-2116	331370-2116
15	21.30	2.00	25.50	12.00		0.04	331340-2120	331370-2120
15	21.30	3.00	25.50	12.00		0.06	331340-2130	331370-2130
20	26.90	1.60	28.50	15.00		0.05	331340-2616	331370-2616
20	26.90	2.00	28.50	15.00		0.06	331340-2620	331370-2620
20	26.90	3.00	28.50	15.00		0.09	331340-2630	331370-2630
25	33.70	1.60	38.00	19.00		0.09	331340-3316	331370-3316
25	33.70	2.00	38.00	19.00		0.11	331340-3320	331370-3320
25	33.70	3.00	38.00	19.00		0.17	331340-3330	331370-3330
32	42.40	1.60	47.50	24.00		0.14	331340-4216	331370-4216
32	42.40	2.00	47.50	24.00		0.18	331340-4220	331370-4220
32	42.40	3.00	47.50	24.00		0.27	331340-4230	331370-4230
40	48.30	2.00	57.00	26.00		0.24	331340-4820	331370-4820
40	48.30	3.00	57.00	26.00		0.36	331340-4830	331370-4830
50	60.30	2.00	63.50	34.00		0.28	331340-6020	331370-6020
50	60.30	3.00	63.50	34.00		0.42	331340-6030	331370-6030
65	76.10	2.00	76.00	42.00		0.46	331340-7620	331370-7620
65	76.10	3.00	76.00	42.00		0.69	331340-7630	331370-7620
80	88.90	2.00	85.50	48.50		0.77	331340-8820	331370-8820
80	88.90	3.00	85.50	48.50		1.15	331340-8830	331370-8830
100	114.30	2.00	105.00	63.00		1.07	331340-11420	331370-11420
100	114.30	3.00	105.00	63.00		1.61	331340-11430	331370-11430
125	139.70	2.00	124.00	76.00		1.63	331340-13920	331370-13920
125	139.70	3.00	124.00	76.00		2.45	331340-13930	331370-13930
150	168.30	2.00	142.00	92.00		2.36	331340-16820	331370-16820
150	168.30	3.00	142.00	92.00		3.54	331340-16830	331370-16830
200	219.10	2.00	179.00	122.00		3.37	331340-21920	331370-21920
200	219.10	3.00	179.00	122.00		5.06	331340-21930	331370-21930

**WELDED CONCENTRIC REDUCER ISO**  
EN10253-3 T=2mm



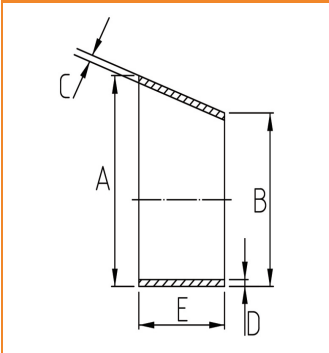
DN	A mm	B mm	C mm	D mm	E mm	kg	AISI 304/1.4301 Art.-Nr.	AISI 316L/1.4404 Art.-Nr.2
10/8	17.20	13.50	2.00	2.00	11.00	0.01	341340-1713	341370-1713
15/8	21.30	13.50	2.00	2.00	23.00	0.02	341340-2113	341370-2113
15/10	21.30	17.20	2.00	2.00	12.00	0.02	341340-2117	341370-2117
20/8	26.90	13.50	2.00	2.00	40.00	0.02	341340-2613	341370-2613
20/10	26.90	17.20	2.00	2.00	29.00	0.02	341340-2617	341370-2617
20/15	26.90	21.30	2.00	2.00	17.00	0.02	341340-2621	341370-2621
25/10	33.70	17.20	2.00	2.00	49.00	0.07	341340-3317	341370-3317
25/15	33.70	21.30	2.00	2.00	37.00	0.05	341340-3321	341370-3321
25/20	33.70	26.90	2.00	2.00	20.00	0.03	341340-3326	341370-3326
32/15	42.40	21.30	2.00	2.00	63.00	0.10	341340-4221	341370-4221
32/20	42.40	26.90	2.00	2.00	46.00	0.08	341340-4226	341370-4226
32/25	42.40	33.70	2.00	2.00	26.00	0.05	341340-4233	341370-4233
40/15	48.30	21.30	2.00	2.00	81.00	0.15	341340-4821	341370-4821
40/20	48.30	26.90	2.00	2.00	64.00	0.12	341340-4826	341370-4826
40/25	48.30	33.70	2.00	2.00	44.00	0.09	341340-4833	341370-4833
40/32	48.30	42.40	2.00	2.00	18.00	0.04	341340-4842	341370-4842
50/20	60.30	26.90	2.00	2.00	100.00	0.22	341340-6026	341370-6026
50/25	60.30	33.70	2.00	2.00	80.00	0.20	341340-6033	341370-6033
50/32	60.30	42.40	2.00	2.00	54.00	0.14	341340-6042	341370-6042
50/40	60.30	48.30	2.00	2.00	36.00	0.10	341340-6048	341370-6048
65/25	76.10	33.70	2.00	2.00	127.00	0.35	341340-7633	341370-7633
65/32	76.10	42.40	2.00	2.00	101.00	0.30	341340-7642	341370-7642
65/40	76.10	48.30	2.00	2.00	83.00	0.26	341340-7648	341370-7648
65/50	76.10	60.30	2.00	2.00	47.00	0.16	341340-7660	341370-7660
80/32	88.90	42.40	2.00	2.00	139.00	0.46	341340-8842	341370-8842
80/40	88.90	48.30	2.00	2.00	122.00	0.43	341340-8848	341370-8848
80/50	88.90	60.30	2.00	2.00	86.00	0.32	341340-8860	341370-8860
80/65	88.90	76.10	2.00	2.00	38.00	0.16	341340-8876	341370-8876
100/40	114.30	48.30	2.00	2.00	198.00	0.84	341340-11448	341370-11448
100/50	114.30	60.30	2.00	2.00	162.00	0.71	341340-11460	341370-11460
100/65	114.30	76.10	2.00	2.00	115.00	0.55	341340-11476	341370-11476
100/80	114.30	88.90	2.00	2.00	76.00	0.39	341340-11488	341370-11488
125/50	139.70	60.30	2.00	2.00	238.00	1.25	341340-13960	341370-13960
125/65	139.70	76.10	2.00	2.00	191.00	1.04	341340-13976	341370-13976
125/80	139.70	88.90	2.00	2.00	152.00	0.82	341340-13988	341370-13988
129/100	139.70	114.30	2.00	2.00	76.00	0.49	341340-139114	341370-139114
150/65	168.30	76.10	2.00	2.00	276.00	1.75	341340-16876	341370-16876
150/80	168.30	88.90	2.00	2.00	238.00	1.55	341340-16888	341370-16888
150/100	168.30	114.30	2.00	2.00	162.00	1.16	341340-168114	341370-168114
150/125	168.30	139.70	2.00	2.00	86.00	0.67	341340-168139	341370-168139
200/100	219.10	114.30	2.00	2.00	315.00	2.66	341340-219114	341370-219114
200/125	219.10	139.70	2.00	2.00	238.00	2.17	341340-219139	341370-219139
200/150	219.10	168.30	2.00	2.00	152.00	2.05	341340-219168	341370-219168

**WELDED CONCENTRIC REDUCER ISO**  
EN10253-3 T=3mm



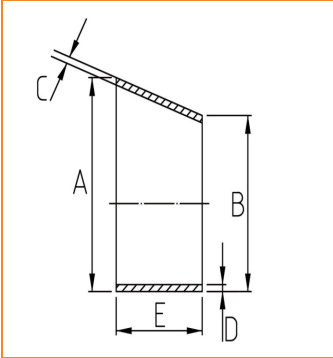
DN	A mm	B mm	C mm	D mm	E mm	kg	AISI 304/1.4301 Art.-Nr.	AISI 316L/1.4404 Art.-Nr.2
10/8	17.20	13.50	3.00	3.00	11.00	0.02	345340-1713	345370-1713
15/8	21.30	13.50	3.00	3.00	23.00	0.03	345340-2113	345370-2113
15/10	21.30	17.20	3.00	3.00	12.00	0.03	345340-2117	345370-2117
20/8	26.90	13.50	3.00	3.00	40.00	0.03	345340-2613	345370-2613
20/10	26.90	17.20	3.00	3.00	29.00	0.03	345340-2617	345370-2617
20/15	26.90	21.30	3.00	3.00	17.00	0.03	345340-2621	345370-2621
25/10	33.70	17.20	3.00	3.00	49.00	0.11	345340-3317	345370-3317
25/15	33.70	21.30	3.00	3.00	37.00	0.08	345340-3321	345370-3321
25/20	33.70	26.90	3.00	3.00	20.00	0.05	345340-3326	345370-3326
32/15	42.40	21.30	3.00	3.00	63.00	0.15	345340-4221	345370-4221
32/20	42.40	26.90	3.00	3.00	46.00	0.12	345340-4226	345370-4226
32/25	42.40	33.70	3.00	3.00	26.00	0.08	345340-4233	345370-4233
40/15	48.30	21.30	3.00	3.00	81.00	0.23	345340-4821	345370-4821
40/20	48.30	26.90	3.00	3.00	64.00	0.18	345340-4826	345370-4826
40/25	48.30	33.70	3.00	3.00	44.00	0.13	345340-4833	345370-4833
40/32	48.30	42.40	3.00	3.00	18.00	0.06	345340-4842	345370-4842
50/20	60.30	26.90	3.00	3.00	100.00	0.33	345340-6026	345370-6026
50/25	60.30	33.70	3.00	3.00	80.00	0.30	345340-6033	345370-6033
50/32	60.30	42.40	3.00	3.00	54.00	0.21	345340-6042	345370-6042
50/40	60.30	48.30	3.00	3.00	36.00	0.15	345340-6048	345370-6048
65/25	76.10	33.70	3.00	3.00	127.00	0.53	345340-7633	345370-7633
65/32	76.10	42.40	3.00	3.00	101.00	0.45	345340-7642	345370-7642
65/40	76.10	48.30	3.00	3.00	83.00	0.39	345340-7648	345370-7648
65/50	76.10	60.30	3.00	3.00	47.00	0.24	345340-7660	345370-7660
80/32	88.90	42.40	3.00	3.00	139.00	0.69	345340-8842	345370-8842
80/40	88.90	48.30	3.00	3.00	122.00	0.65	345340-8848	345370-8848
80/50	88.90	60.30	3.00	3.00	86.00	0.48	345340-8860	345370-8860
80/65	88.90	76.10	3.00	3.00	38.00	0.24	345340-8876	345370-8876
100/40	114.30	48.30	3.00	3.00	198.00	1.26	345340-11448	345370-11448
100/50	114.30	60.30	3.00	3.00	162.00	1.07	345340-11460	345370-11460
100/65	114.30	76.10	3.00	3.00	115.00	0.83	345340-11476	345370-11476
100/80	114.30	88.90	3.00	3.00	76.00	0.59	345340-11488	345370-11488
125/50	139.70	60.30	3.00	3.00	238.00	1.88	345340-13960	345370-13960
125/65	139.70	76.10	3.00	3.00	191.00	1.56	345340-13976	345370-13976
125/80	139.70	88.90	3.00	3.00	152.00	1.23	345340-13988	345370-13988
129/100	139.70	114.30	3.00	3.00	76.00	0.74	345340-139114	345370-139114
150/65	168.30	76.10	3.00	3.00	276.00	2.63	345340-16876	345370-16876
150/80	168.30	88.90	3.00	3.00	238.00	2.33	345340-16888	345370-16888
150/100	168.30	114.30	3.00	3.00	162.00	1.74	345340-168114	345370-168114
150/125	168.30	139.70	3.00	3.00	86.00	1.01	345340-168139	345370-168139
200/100	219.10	114.30	3.00	3.00	315.00	3.99	345340-219114	345370-219114
200/125	219.10	139.70	3.00	3.00	238.00	3.26	345340-219139	345370-219139
200/150	219.10	168.30	3.00	3.00	152.00	3.08	345340-219168	345370-219168

**WELDED ECCENTRIC REDUCER ISO  
EN10253-3**



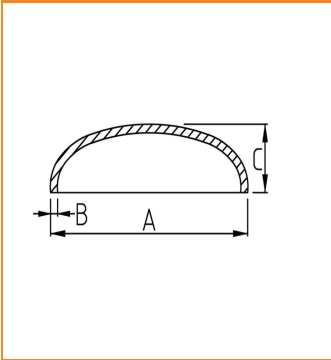
DN	A mm	B mm	C mm	D mm	E mm	kg	AISI 304/1.4301 Art.-Nr.	AISI 316L/1.4404 Art.-Nr.2
10/8	17.20	13.50	2.00	2.00	11.00	0.01	343340-1713	343370-1713
15/8	21.30	13.50	2.00	2.00	23.00	0.02	343340-2113	343370-2113
15/10	21.30	17.20	2.00	2.00	12.00	0.02	343340-2117	343370-2117
20/8	26.90	13.50	2.00	2.00	40.00	0.02	343340-2613	343370-2613
20/10	26.90	17.20	2.00	2.00	29.00	0.02	343340-2617	343370-2617
20/15	26.90	21.30	2.00	2.00	17.00	0.02	343340-2621	343370-2621
25/10	33.70	17.20	2.00	2.00	49.00	0.07	343340-3317	343370-3317
25/15	33.70	21.30	2.00	2.00	37.00	0.05	343340-3321	343370-3321
25/20	33.70	26.90	2.00	2.00	20.00	0.03	343340-3326	343370-3326
32/15	42.40	21.30	2.00	2.00	63.00	0.10	343340-4221	343370-4221
32/20	42.40	26.90	2.00	2.00	46.00	0.08	343340-4226	343370-4226
32/25	42.40	33.70	2.00	2.00	26.00	0.05	343340-4233	343370-4233
40/15	48.30	21.30	2.00	2.00	81.00	0.15	343340-4821	343370-4821
40/20	48.30	26.90	2.00	2.00	64.00	0.12	343340-4826	343370-4826
40/25	48.30	33.70	2.00	2.00	44.00	0.09	343340-4833	343370-4833
40/32	48.30	42.40	2.00	2.00	18.00	0.04	343340-4842	343370-4842
50/20	60.30	26.90	2.00	2.00	100.00	0.22	343340-6026	343370-6026
50/25	60.30	33.70	2.00	2.00	80.00	0.20	343340-6033	343370-6033
50/32	60.30	42.40	2.00	2.00	54.00	0.14	343340-6042	343370-6042
50/40	60.30	48.30	2.00	2.00	36.00	0.10	343340-6048	343370-6048
65/25	76.10	33.70	2.00	2.00	127.00	0.35	343340-7633	343370-7633
65/32	76.10	42.40	2.00	2.00	101.00	0.30	343340-7642	343370-7642
65/40	76.10	48.30	2.00	2.00	83.00	0.26	343340-7648	343370-7648
65/50	76.10	60.30	2.00	2.00	47.00	0.16	343340-7660	343370-7660
80/32	88.90	42.40	2.00	2.00	139.00	0.46	343340-8842	343370-8842
80/40	88.90	48.30	2.00	2.00	122.00	0.43	343340-8848	343370-8848
80/50	88.90	60.30	2.00	2.00	86.00	0.32	343340-8860	343370-8860
80/65	88.90	76.10	2.00	2.00	38.00	0.16	343340-8876	343370-8876
100/40	114.30	48.30	2.00	2.00	198.00	0.84	343340-11448	343370-11448
100/50	114.30	60.30	2.00	2.00	162.00	0.71	343340-11460	343370-11460
100/65	114.30	76.10	2.00	2.00	115.00	0.55	343340-11476	343370-11476
100/80	114.30	88.90	2.00	2.00	76.00	0.39	343340-11489	343370-11489
125/50	139.70	60.30	2.00	2.00	238.00	1.25	343340-13960	343370-13960
125/65	139.70	76.10	2.00	2.00	191.00	1.04	343340-13976	343370-13976
125/80	139.70	88.90	2.00	2.00	152.00	0.82	343340-13988	343370-13988
129/100	139.70	114.30	2.00	2.00	76.00	0.49	343340-139114	343370-139114
150/65	168.30	76.10	2.00	2.00	276.00	1.75	343340-16876	343370-16876
150/80	168.30	88.90	2.00	2.00	238.00	1.55	343340-16888	343370-16888
150/100	168.30	114.30	2.00	2.00	162.00	1.16	343340-168114	343370-168114
150/125	168.30	139.70	2.00	2.00	86.00	0.67	343340-168139	343370-168139
200/100	219.10	114.30	2.00	2.00	315.00	2.66	343340-219114	343370-219114
200/125	219.10	139.70	2.00	2.00	238.00	2.17	343340-219139	343370-219139
200/150	219.10	168.30	2.00	2.00	152.00	2.05	343340-219168	343370-219168

**WELDED ECCENTRIC REDUCER ISO**  
EN10253-3 T=3mm



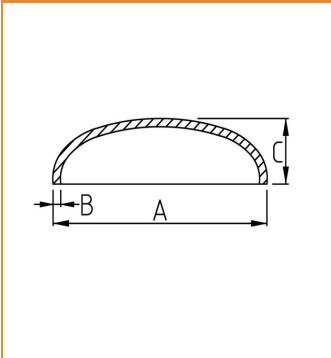
DN	A mm	B mm	C mm	D mm	E mm	kg	AISI 304/1.4301 Art.-Nr.	AISI 316L/1.4404 Art.-Nr.2
10/8	17.20	13.50	3.00	3.00	11.00	0.02	346340-1713	346370-1713
15/8	21.30	13.50	3.00	3.00	23.00	0.03	346340-2113	346370-2113
15/10	21.30	17.20	3.00	3.00	12.00	0.03	346340-2117	346370-2117
20/8	26.90	13.50	3.00	3.00	40.00	0.03	346340-2613	346370-2613
20/10	26.90	17.20	3.00	3.00	29.00	0.03	346340-2617	346370-2617
20/15	26.90	21.30	3.00	3.00	17.00	0.03	346340-2621	346370-2621
25/10	33.70	17.20	3.00	3.00	49.00	0.11	346340-3317	346370-3317
25/15	33.70	21.30	3.00	3.00	37.00	0.08	346340-3321	346370-3321
25/20	33.70	26.90	3.00	3.00	20.00	0.05	346340-3326	346370-3326
32/15	42.40	21.30	3.00	3.00	63.00	0.15	346340-4221	346370-4221
32/20	42.40	26.90	3.00	3.00	46.00	0.12	346340-4226	346370-4226
32/25	42.40	33.70	3.00	3.00	26.00	0.08	346340-4233	346370-4233
40/15	48.30	21.30	3.00	3.00	81.00	0.23	346340-4821	346370-4821
40/20	48.30	26.90	3.00	3.00	64.00	0.18	346340-4826	346370-4826
40/25	48.30	33.70	3.00	3.00	44.00	0.14	346340-4833	346370-4833
40/32	48.30	42.40	3.00	3.00	18.00	0.06	346340-4842	346370-4842
50/20	60.30	26.90	3.00	3.00	100.00	0.33	346340-6026	346370-6026
50/25	60.30	33.70	3.00	3.00	80.00	0.30	346340-6033	346370-6033
50/32	60.30	42.40	3.00	3.00	54.00	0.21	346340-6042	346370-6042
50/40	60.30	48.30	3.00	3.00	36.00	0.15	346340-6048	346370-6048
65/25	76.10	33.70	3.00	3.00	127.00	0.53	346340-7633	346370-7633
65/32	76.10	42.40	3.00	3.00	101.00	0.45	346340-7642	346370-7642
65/40	76.10	48.30	3.00	3.00	83.00	0.39	346340-7648	346370-7648
65/50	76.10	60.30	3.00	3.00	47.00	0.24	346340-7660	346370-7660
80/32	88.90	42.40	3.00	3.00	139.00	0.69	346340-8842	346370-8842
80/40	88.90	48.30	3.00	3.00	122.00	0.65	346340-8848	346370-8848
80/50	88.90	60.30	3.00	3.00	86.00	0.48	346340-8860	346370-8860
80/65	88.90	76.10	3.00	3.00	38.00	0.24	346340-8876	346370-8876
100/40	114.30	48.30	3.00	3.00	198.00	1.26	346340-11448	346370-11448
100/50	114.30	60.30	3.00	3.00	162.00	1.07	346340-11460	346370-11460
100/65	114.30	76.10	3.00	3.00	115.00	0.83	346340-11476	346370-11476
100/80	114.30	88.90	3.00	3.00	76.00	0.59	346340-11488	346370-11488
125/50	139.70	60.30	3.00	3.00	238.00	1.88	346340-13960	346370-13960
125/65	139.70	76.10	3.00	3.00	191.00	1.56	346340-13976	346370-13976
125/80	139.70	88.90	3.00	3.00	152.00	1.23	346340-13988	346370-13988
129/100	139.70	114.30	3.00	3.00	76.00	0.74	346340-139114	346370-139114
150/65	168.30	76.10	3.00	3.00	276.00	2.63	346340-16876	346370-16876
150/80	168.30	88.90	3.00	3.00	238.00	2.33	346340-16888	346370-16888
150/100	168.30	114.30	3.00	3.00	162.00	1.74	346340-168114	346370-168114
150/125	168.30	139.70	3.00	3.00	86.00	1.01	346340-168139	346370-168139
200/100	219.10	114.30	3.00	3.00	315.00	3.99	346340-219114	346370-219114
200/125	219.10	139.70	3.00	3.00	238.00	3.26	346340-219139	346370-219139
200/150	219.10	168.30	3.00	3.00	152.00	3.08	346340-219168	346370-219168

**PRESSED END CAP ISO EN10253-3**  
T=2mm



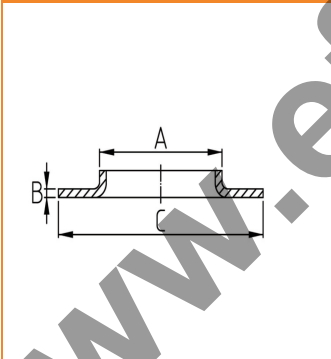
DN	A mm	B mm	C mm	D mm	E mm	kg	AISI 304/1.4301 Art.-Nr.	AISI 316L/1.4404 Art.-Nr.2
8	13.50	2.00	10.50			0.01	351340-1320	351370-1320
10	17.20	2.00	7.50			0.01	351340-1720	351370-1720
15	21.30	2.00	9.00			0.02	351340-2120	351370-2120
20	26.90	2.00	10.50			0.02	351340-2620	351370-2620
25	33.70	2.00	12.50			0.02	351340-3320	351370-3320
32	42.40	2.00	17.00			0.04	351340-4220	351370-4220
40	48.30	2.00	17.00			0.05	351340-4820	351370-4820
50	60.30	2.00	20.00			0.08	351340-6020	351370-6020
65	76.10	2.00	27.00			0.13	351340-7620	351370-7620
80	88.90	2.00	29.00			0.17	351340-8820	351370-8820
100	114.30	2.00	32.00			0.25	351340-11420	351370-11420
125	139.70	2.00	35.00			0.37	351340-13920	351370-13920
150	168.30	2.00	40.00			0.52	351340-16820	351370-16820
200	219.10	2.00	50.00			0.85	351340-21920	351370-21920

**PRESSED END CAP ISO EN10253-3**  
T=3mm



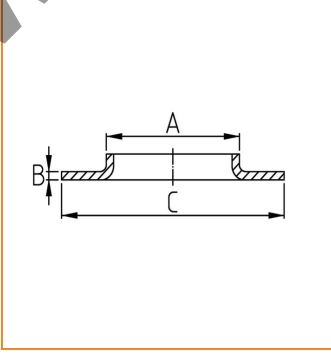
DN	A mm	B mm	C mm	D mm	E mm	kg	AISI 304/1.4301 Art.-Nr.	AISI 316L/1.4404 Art.-Nr.2
8	13.50	3.00	10.50			0.02	351340-1330	351370-1330
10	17.20	3.00	7.50			0.02	351340-1730	351370-1730
15	21.30	3.00	9.00			0.03	351340-2130	351370-2130
20	26.90	3.00	10.50			0.03	351340-2630	351370-2630
25	33.70	3.00	12.50			0.03	351340-3330	351370-3330
32	42.40	3.00	17.00			0.06	351340-4230	351370-4230
40	48.30	3.00	17.00			0.08	351340-4830	351370-4830
50	60.30	3.00	20.00			0.12	351340-6030	351370-6030
65	76.10	3.00	27.00			0.20	351340-7630	351370-7630
80	88.90	3.00	29.00			0.26	351340-8830	351370-8830
100	114.30	3.00	32.00			0.38	351340-11430	351370-11430
125	139.70	3.00	35.00			0.56	351340-13930	351370-13930
150	168.30	3.00	40.00			0.78	351340-16830	351370-16830
200	219.10	3.00	50.00			1.28	351340-21930	351370-21930

**PRESSED COLLAR ISO EN1092-1**  
T=2mm

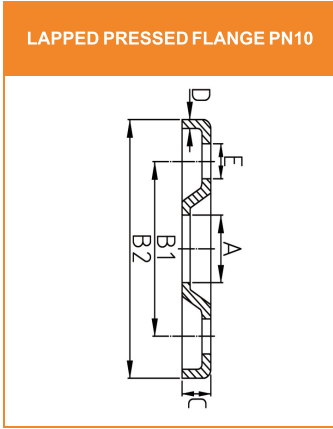


DN	A mm	B mm	C mm	D mm	E mm	kg	AISI 304/1.4301 Art.-Nr.	AISI 316L/1.4404 Art.-Nr.2
10	17.20	2.00	43.00			0.02	352340-1720	352370-1720
15	21.30	2.00	43.00			0.02	352340-2120	352370-2120
20	26.90	2.00	58.00			0.04	352340-2620	352370-2620
25	33.70	2.00	68.00			0.05	352340-3320	352370-3320
32	42.40	2.00	78.00			0.07	352340-4220	352370-4220
40	48.30	2.00	88.00			0.08	352340-4820	352370-4820
50	60.30	2.00	102.00			0.11	352340-6020	352370-6020
65	76.10	2.00	122.00			0.15	352340-7620	352370-7620
80	88.90	2.00	139.00			0.19	352340-8820	352370-8820
100	114.30	2.00	158.00			0.21	352340-11420	352370-11420
125	139.70	2.00	188.00			0.26	352340-13920	352370-13920
150	168.30	2.00	212.00			0.32	352340-16820	352370-16820
200	219.10	2.00	270.00			0.47	352340-21920	352370-21920

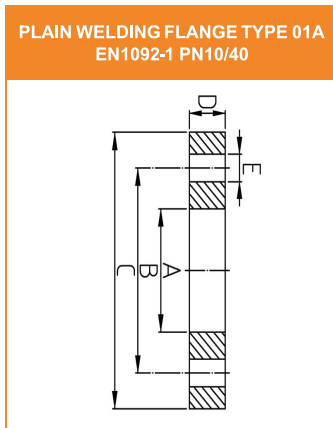
**PRESSED COLLAR ISO EN1092-1**  
T=3mm



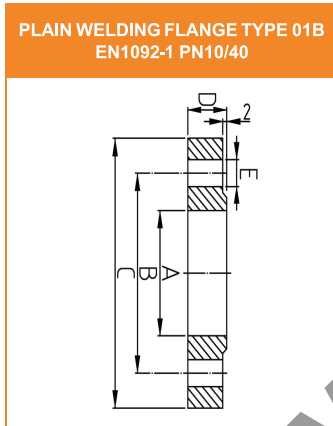
DN	A mm	B mm	C mm	D mm	E mm	kg	AISI 304/1.4301 Art.-Nr.	AISI 316L/1.4404 Art.-Nr.2
10	17.20	3.00	43.00			0.05	352340-1730	352370-1730
15	21.30	3.00	43.00			0.05	352340-2130	352370-2130
20	26.90	3.00	58.00			0.09	352340-2630	352370-2630
25	33.70	3.00	68.00			0.12	352340-3330	352370-3330
32	42.40	3.00	78.00			0.17	352340-4230	352370-4230
40	48.30	3.00	88.00			0.18	352340-4830	352370-4830
50	60.30	3.00	102.00			0.26	352340-6030	352370-6030
65	76.10	3.00	122.00			0.35	352340-7630	352370-7630
80	88.90	3.00	139.00			0.44	352340-8830	352370-8830
100	114.30	3.00	158.00			0.48	352340-11430	352370-11430
125	139.70	3.00	188.00			0.59	352340-13930	352370-13930
150	168.30	3.00	212.00			0.72	352340-16830	352370-16830
200	219.10	3.00	270.00			1.07	352340-21930	352370-21930



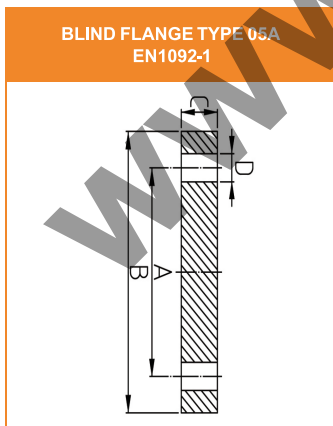
DN	A mm	B1/B2 mm	C mm	D mm	E mm	kg	AISI 304/1.4301 Art.-Nr.	AISI 316L/1.4404 Art.-Nr.2
15	24.00	0.68	12.00	3.00	4x13,5	0.20	205340-15	205370-15
20	30.00	0.71	14.00	3.00	4x13,5	0.24	205340-20	205370-20
25	37.00	0.74	16.00	3.00	4x13,5	0.26	205340-25	205370-25
32	46.00	0.71	16.00	3.00	4x17,5	0.42	205340-32	205370-32
40	54.00	0.73	17.50	4.00	4x17,5	0.61	205340-40	205370-40
50	65.00	0.76	19.50	4.00	4x17,5	0.75	205340-50	205370-50
65	81.00	0.78	21.00	4.00	4x17,5	0.95	205340-65	205370-65
80	94.00	0.80	21.00	4.00	8x17,5	1.10	205340-80	205370-80
100	119.00	0.82	22.00	4.00	8x17,5	1.30	205340-100	205370-100
125	145.00	0.84	22.00	5.00	8x17,5	1.80	205340-125	205370-125
150	173.00	0.84	26.00	5.00	8x21,5	2.38	205340-150	205370-150
200	225.00	0.87	28.00	6.00	8x21,5	3.41	205340-200	205370-200



DN	A mm	B mm	C mm	D mm/ PN bar	E mm	kg	AISI 304/1.4301 Art.-Nr.	AISI 316L/1.4404 Art.-Nr.2
15	22.00	65.00	95.00	14 / PN40	4x14	0.70	201340-21	201370-21
20	27.50	75.00	105.00	16 / PN40	4x14	0.95	201340-26	201370-26
25	34.50	85.00	115.00	16 / PN40	4x14	1.30	201340-33	201370-33
32	43.50	100.00	140.00	18 / PN40	4x18	1.85	201340-42	201370-42
40	49.50	110.00	150.00	18 / PN40	4x18	2.25	201340-48	201370-48
50	61.50	125.00	165.00	19 / PN16	4x18	2.80	201340-60	201370-60
65	77.50	145.00	185.00	20 / PN16	8x18	3.00	201340-76	201370-76
80	90.50	160.00	200.00	20 / PN16	8x18	3.95	201340-88	201370-88
100	116.00	180.00	220.00	22 / PN16	8x18	4.40	201340-114	201370-114
125	141.50	210.00	250.00	22 / PN16	8x18	5.90	201340-139	201370-139
150	170.50	240.00	285.00	24 / PN16	8x22	7.10	201340-168	201370-168
200	221.50	295.00	340.00	24 / PN10	8x22	9.70	201340-219	201370-219



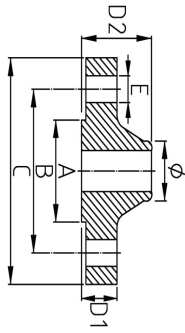
DN	A mm	B mm	C mm	D mm/ PN bar	E mm	kg	AISI 304/1.4301 Art.-Nr.	AISI 316L/1.4404 Art.-Nr.2
15	22.00	65.00	95.00	14 / PN40	4x14	0.70	206340-21	206370-21
20	27.50	75.00	105.00	16 / PN40	4x14	0.95	206340-26	206370-26
25	34.50	85.00	115.00	16 / PN40	4x14	1.30	206340-33	206370-33
32	43.50	100.00	140.00	18 / PN40	4x18	1.85	206340-42	206370-42
40	49.50	110.00	150.00	18 / PN40	4x18	2.25	206340-48	206370-48
50	61.50	125.00	165.00	19 / PN16	4x18	2.80	206340-60	206370-60
65	77.50	145.00	185.00	20 / PN16	8x18	3.00	206340-76	206370-76
80	90.50	160.00	200.00	20 / PN16	8x18	3.95	206340-88	206370-88
100	116.00	180.00	220.00	22 / PN16	8x18	4.40	206340-114	206370-114
125	141.50	210.00	250.00	22 / PN16	8x18	5.90	206340-139	206370-139
150	170.50	240.00	285.00	24 / PN16	8x22	7.10	206340-168	206370-168
200	221.50	295.00	340.00	24 / PN10	8x22	9.70	206340-219	206370-219



DN	A mm	B mm	C mm	D mm	E mm	kg	AISI 304/1.4301 Art.-Nr.	AISI 316L/1.4404 Art.-Nr.2
15	65.00	95.00	14.00	4x14	PN40	0.90	203340-21	203370-21
20	75.00	105.00	16.00	4x14	PN40	1.20	203340-26	203370-26
25	85.00	115.00	16.00	4x14	PN40	1.50	203340-33	203370-33
32	100.00	140.00	18.00	4x18	PN40	2.10	203340-42	203370-42
40	110.00	150.00	18.00	4x18	PN40	2.50	203340-48	203370-48
50	125.00	165.00	19.00	4x18	PN16	2.85	203340-60	203370-60
65	145.00	185.00	20.00	8x18	PN16	3.65	203340-76	203370-76
80	160.00	200.00	20.00	8x18	PN16	5.05	203340-88	203370-88
100	180.00	220.00	22.00	8x18	PN16	6.02	203340-114	203370-114
125	210.00	250.00	22.00	8x18	PN16	8.85	203340-139	203370-139
150	240.00	285.00	24.00	8x22	PN16	11.40	203340-168	203370-168
200	295.00	340.00	24.00	8x22	PN10	17.40	203340-219	203370-219

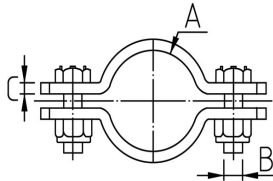
ISO

**WELDING NECK FLANGE TYPE 11B**  
EN1092-1



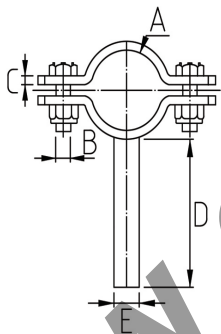
DN	A mm	B mm	C mm	D1/D2/ mm PN bar	E mm	kg	AISI 304/1.4301 Art.-Nr.	AISI 316L/1.4404 Art.-Nr.2
15	45.00	65.00	95.00	16/38/PN40	4x14	0.70	202340-21	202370-21
20	58.00	75.00	105.00	18/40/PN40	4x14	0.95	202340-26	202370-26
25	68.00	85.00	115.00	18/40/PN40	4x14	1.30	202340-33	202370-33
32	78.00	100.00	140.00	18/42/PN40	4x18	1.85	202340-42	202370-42
40	88.00	110.00	150.00	18/45/PN40	4x18	2.25	202340-48	202370-48
50	102.00	125.00	165.00	18/45/PN16	4x18	2.80	202340-60	202370-60
65	122.00	145.00	185.00	18/45/PN16	8x18	3.00	202340-76	202370-76
80	138.00	160.00	200.00	20/50/PN16	8x18	3.95	202340-88	202370-88
100	158.00	180.00	220.00	20/52/PN16	8x18	4.62	202340-114	202370-114
125	188.00	210.00	250.00	22/55/PN16	8x18	6.30	202340-139	202370-139
150	212.00	240.00	285.00	22/55/PN16	8x22	7.75	202340-168	202370-168
200	268.00	295.00	340.00	24/62/PN10	8x22	11.00	202340-219	202370-219

**ROUND PIPE HANGER ISO WITHOUT SHANK**



DN	A mm	B mm	C mm	D mm	E mm	kg	AISI 304/1.4301 Art.-Nr.	AISI 316L/1.4404 Art.-Nr.2
10	17.20	M6x20	20x3			0.05	361340-17	
15	21.30	M6x20	20x3			0.06	361340-21	
20	26.90	M6x20	20x3			0.07	361340-26	
25	33.70	M6x20	20x3			0.08	361340-33	
32	42.40	M6x20	20x3			0.09	361340-42	
40	48.30	M6x20	20x3			0.10	361340-48	
50	60.30	M6x25	20x3			0.12	361340-60	
65	76.10	M6x25	20x3			0.17	361340-76	
80	88.90	M6x25	25x3			0.21	361340-88	
100	114.30	M6x25	25x3			0.30	361340-114	
125	139.70	M8x30	30x4			0.40	361340-139	
150	168.30	M8x30	30x4			0.70	361340-168	
200	219.10	M8x30	30x4			1.00	361340-219	

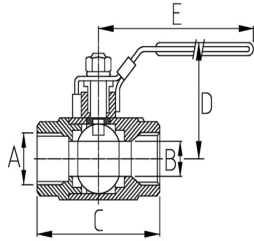
**ROUND PIPE HANGER ISO WITH SHANK**



DN	A mm	B mm	C mm	D mm	E mm	kg	AISI 304/1.4301 Art.-Nr.	AISI 316L/1.4404 Art.-Nr.2
10	17.20	M6x20	20x3	55.00	8.00	0.08	362340-17	
15	21.30	M6x20	20x3	55.00	8.00	0.09	362340-21	
20	26.90	M6x20	20x3	55.00	8.00	0.11	362340-26	
25	33.70	M6x20	20x3	55.00	10.00	0.12	362340-33	
32	42.40	M6x20	20x3	55.00	10.00	0.13	362340-42	
40	48.30	M6x20	20x3	55.00	12.00	0.16	362340-48	
50	60.30	M6x25	20x3	55.00	12.00	0.17	362340-60	
65	76.10	M6x25	20x3	55.00	12.00	0.22	362340-76	
80	88.90	M6x25	25x3	55.00	12.00	0.26	362340-88	
100	114.30	M6x25	25x3	55.00	12.00	0.45	362340-114	
125	139.70	M8x30	30x4	55.00	14.00	0.55	362340-139	
150	168.30	M8x30	30x4	55.00	14.00	0.80	362340-168	
200	219.10	M8x30	30x4	55.00	14.00	1.10	362340-219	

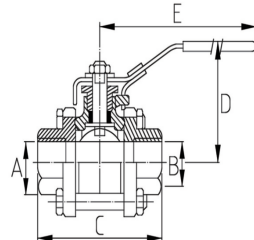


## 2 PIECES FEMALE/FEMALE FULL BORE BALL VALVE PN64



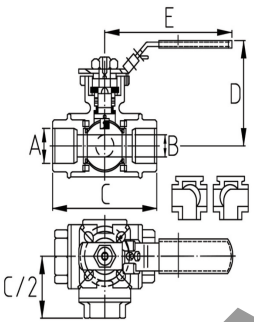
DN	A mm	B mm	C mm	D mm	E mm	kg	AISI 304/1.4301 Art.-Nr.	AISI 316/1.4408 Art.-Nr.2
8	1/4"	11.60	36-55	41-48	76-104	0.25	501340-13	501360-13
10	3/8"	12.50	42-60	41-48	76-104	0.25	501340-17	501360-17
15	1/2"	15.00	48-75	46-52	85-104	0.32	501340-21	501360-21
20	3/4"	20.00	58-80	57-61	95-128	0.46	501340-26	501360-26
25	1"	25.00	68-90	63-68	111-128	0.77	501340-33	501360-33
32	1 1/4"	32.00	80-110	74-79	120-156	1.12	501340-42	501360-42
40	1 1/2"	38.00	90-120	81-85	150-156	1.74	501340-48	501360-48
50	2"	50.00	109-140	94-102	150-194	2.65	501340-60	501360-60
65	2 1/2"	65.00	139-185	120-129	215-246	5.35	501340-76	501360-76
80	3"	76.00	157-205	130-138	215-246	7.43	501340-88	501360-88

## 3 PIECES FEMALE/FEMALE FULL BORE BALL VALVE PN64



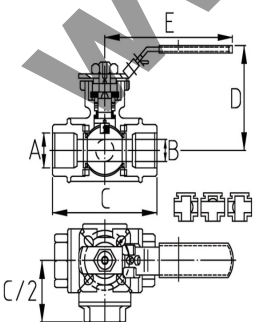
DN	A mm	B mm	C mm	D mm	E mm	kg	AISI 304/1.4301 Art.-Nr.	AISI 316/1.4408 Art.-Nr.2
8	1/4"	11.00	50-55	48-64	91-104	0.39	502340-13	502360-13
10	3/8"	12.00	50-60	48-64	91-104	0.41	502340-17	502360-17
15	1/2"	15.00	60-75	52-64	103-104	0.53	502340-21	502360-21
20	3/4"	20.00	70-80	61-73	111-123	0.79	502340-26	502360-26
25	1"	25.00	80-90	65-89	123-150	1.20	502340-33	502360-33
32	1 1/4"	32.00	93-110	79-95	150-153	1.86	502340-42	502360-42
40	1 1/2"	38.00	100-120	83-120	153-168	2.57	502340-48	502360-48
50	2"	50.00	125-140	97-129	168-190	3.89	502340-60	502360-60
65	2 1/2"	64.00	158-185	135-140	243-250	8.30	502340-76	502360-76
80	3"	76.00	179-205	144-147	243-250	12.25	502340-88	502360-88
100	4"	94.00	223-240	172-175	315-400	18.65	502340-114	502360-114

## L PORTE 3 WAYS FEMALE REDUCE BORE PN64



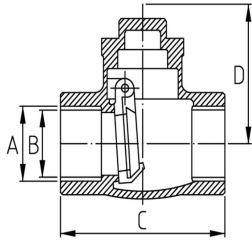
DN	A mm	B mm	C mm	D mm	E mm	kg	AISI 304/1.4301 Art.-Nr.	AISI 316/1.4408 Art.-Nr.2
8.00	1/4"	9.00	79.00	73.00	139.00	0.75	504340-13	504360-13
12.00	3/8"	11.00	79.00	73.00	139.00	0.75	504340-17	504360-17
15.00	1/2"	12.50	79.00	73.00	139.00	0.75	504340-21	504360-21
20.00	3/4"	16.00	83.00	80.00	139.00	1.30	504340-26	504360-26
25.00	1"	20.00	104.00	95.00	160.00	1.80	504340-33	504360-33
32.00	1 1/4"	25.00	111.00	98.00	160.00	2.70	504340-42	504360-42
40.00	1 1/2"	32.00	126.00	110.00	185.00	3.90	504340-48	504360-48
50.00	2"	38.00	147.00	119.00	185.00	6.80	504340-60	504360-60

## T PORTE 3 WAYS FEMALE REDUCE BORE PN64



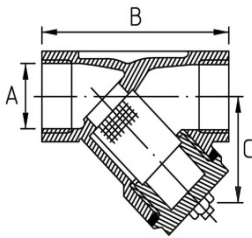
DN	A mm	B mm	C mm	D mm	E mm	kg	AISI 304/1.4301 Art.-Nr.	AISI 316/1.4408 Art.-Nr.2
8.00	1/4"	9.00	79.00	73.00	139.00	0.75	505340-13	505360-13
12.00	3/8"	11.00	79.00	73.00	139.00	0.75	505340-17	505360-17
15.00	1/2"	12.50	79.00	73.00	139.00	0.75	505340-21	505360-21
20.00	3/4"	16.00	83.00	80.00	139.00	1.30	505340-26	505360-26
25.00	1"	20.00	104.00	95.00	160.00	1.80	505340-33	505360-33
32.00	1 1/4"	25.00	111.00	98.00	160.00	2.70	505340-42	505360-42
40.00	1 1/2"	32.00	126.00	110.00	185.00	3.90	505340-48	505360-48
50.00	2"	38.00	147.00	119.00	185.00	6.80	505340-60	505360-60

**SWING CHECK VALVE PN16**



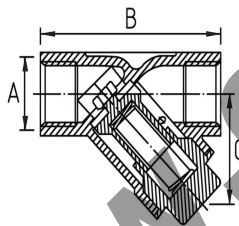
DN	A mm	B mm	C mm	D mm	E mm	kg	AISI 304/1.4301 Art.-Nr.	AISI 316/1.4408 Art.-Nr.2
15	1/2"	15.00	65.00	45.00		0.29	509340-21	509360-21
20	3/4"	20.00	80.00	55.00		0.49	509340-26	509360-26
25	1"	25.00	90.00	58.00		0.69	509340-33	509360-33
32	1"1/4	32.00	105.00	62.00		1.05	509340-42	509360-42
40	1"1/2	40.00	120.00	75.00		1.58	509340-48	509360-48
50	2"	50.00	140.00	78.00		2.34	509340-60	509360-60

**Y TYPE STRAINER PN40**



DN	A mm	B mm	C mm	D mm	E mm	kg	AISI 304/1.4301 Art.-Nr.	AISI 316/1.4408 Art.-Nr.2
8	1/4"	65.00	33.00			0.16	511340-13	511360-13
10	3/8"	65.00	33.00			0.15	511340-17	511360-17
15	1/2"	65.00	35.00			0.21	511340-21	511360-21
20	3/4"	80.00	45.00			0.28	511340-26	511360-26
25	1"	90.00	57.00			0.46	511340-33	511360-33
32	1"1/4	105.00	58.00			0.68	511340-42	511360-42
40	1"1/2	120.00	66.00			0.93	511340-48	511360-48
50	2"	140.00	77.00			1.44	511340-60	511360-60

**Y TYPE SPRING CHECK VALVE PN40**



DN	A mm	B mm	C mm	D mm	E mm	kg	AISI 304/1.4301 Art.-Nr.	AISI 316/1.4408 Art.-Nr.2
8	1/4"	65.00	33.00			0.16	512340-13	512360-13
10	3/8"	65.00	33.00			0.15	512340-17	512360-17
15	1/2"	65.00	35.00			0.21	512340-21	512360-21
20	3/4"	80.00	45.00			0.28	512340-26	512360-26
25	1"	90.00	57.00			0.46	512340-33	512360-33
32	1"1/4	105.00	58.00			0.68	512340-42	512360-42
40	1"1/2	120.00	66.00			0.93	512340-48	512360-48
50	2"	140.00	77.00			1.44	512340-60	512360-60